

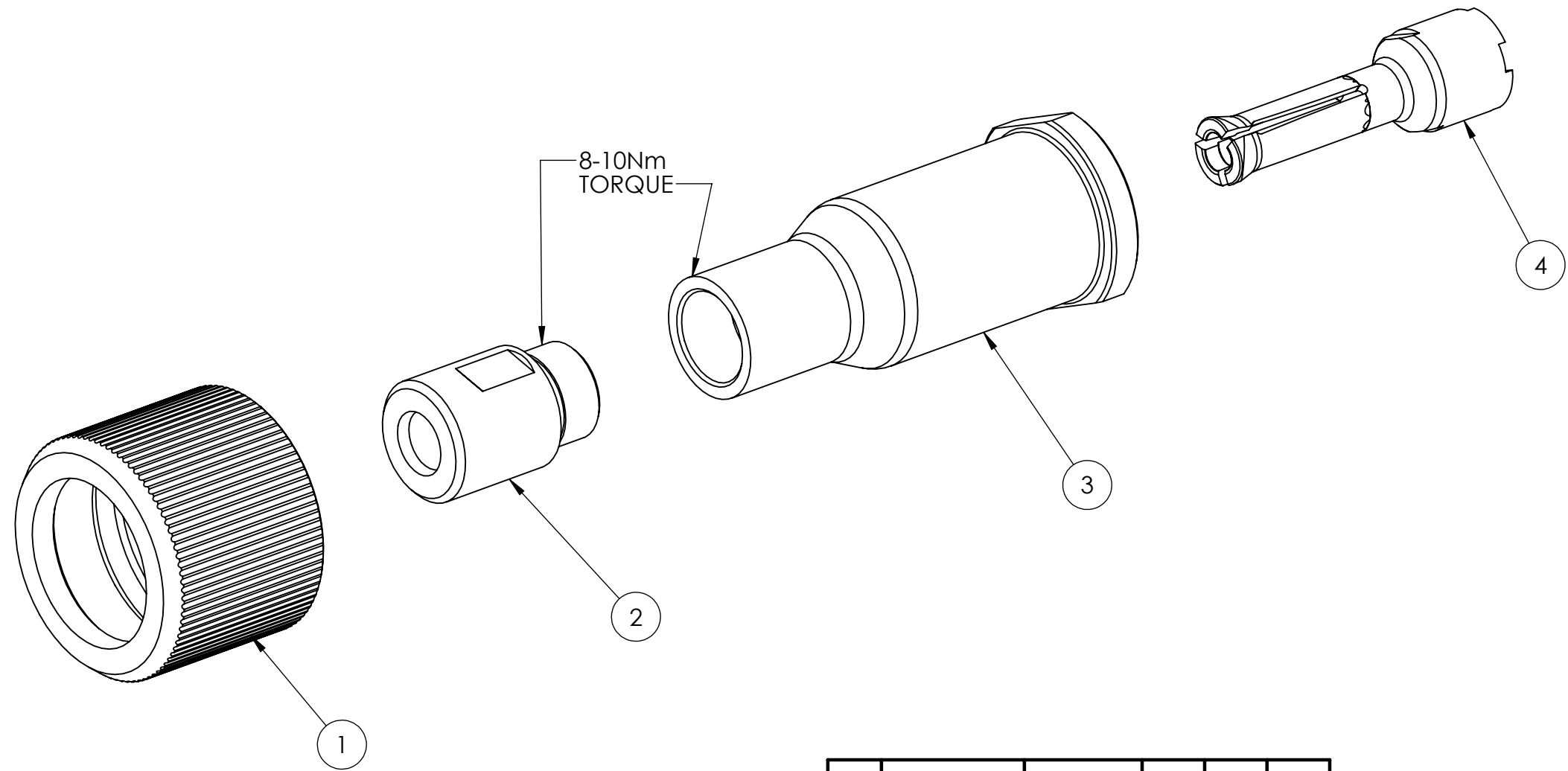
4

3

2

1

ITEM	PART NUMBER	DESCRIPTION	QUANTITY
1	65110-00083	NUT	1
2	65110-00120	1/4" ANVIL	1
3	65110-00228	NOSE HOUSING	1
4	65110-00054	COLLET	1



A	20153	1/25/2018	ME	JL	JW
REV	EC NUMBER	DATE	BY	CHK	APPR
MATERIAL:			HEAT TREAT:		FINISH:
REF				PRODUCT LINE TOOL	
DESIGN BY M. EZCURRA			LOCATION DAN	DATE 2/13/2017	
This document is the property of Stanley Engineered Fastening. This contents are confidential and constitute trade secrets proprietary to Stanley. Neither this document nor its' contents shall be disclosed to any unauthorized person, copied or published without prior written consent of Stanley Engineered Fastening. Copyright © Stanley Engineered Fastening			UNLESS OTHERWISE SPECIFIED DIMENSIONS ARE IN INCH ALL [] UNITS ARE IN MILLIMETERS		TITLE 1/4" NOSE ASSEMBLY, 19MM DIA
					3RD ANGLE PROJECTION
PART NUMBER 65120-00074			DRAWING NUMBER 65120-00074		
WT (g)	SCALE 1:1	TYPE MFG	SHEET 1/1	CADSYSTEM SOLIDWORKS2015	

NOTES:
 1. ALL MATERIALS MUST COMPLY WITH ES100118
 2. ♦ INDICATES CRITICAL PROCESS CONTROL DIMENSION, NOTE OR FEATURE

3

2

1